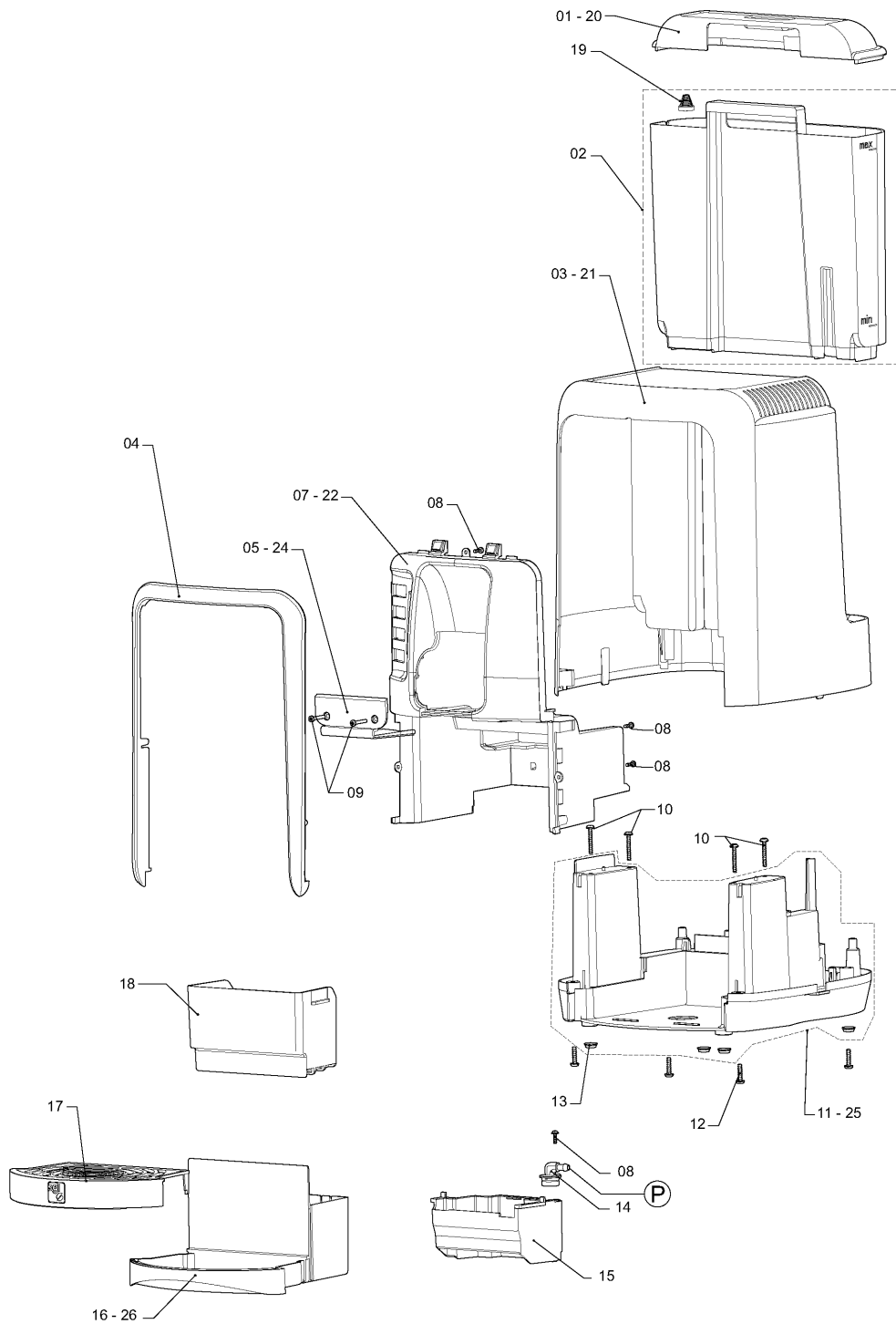
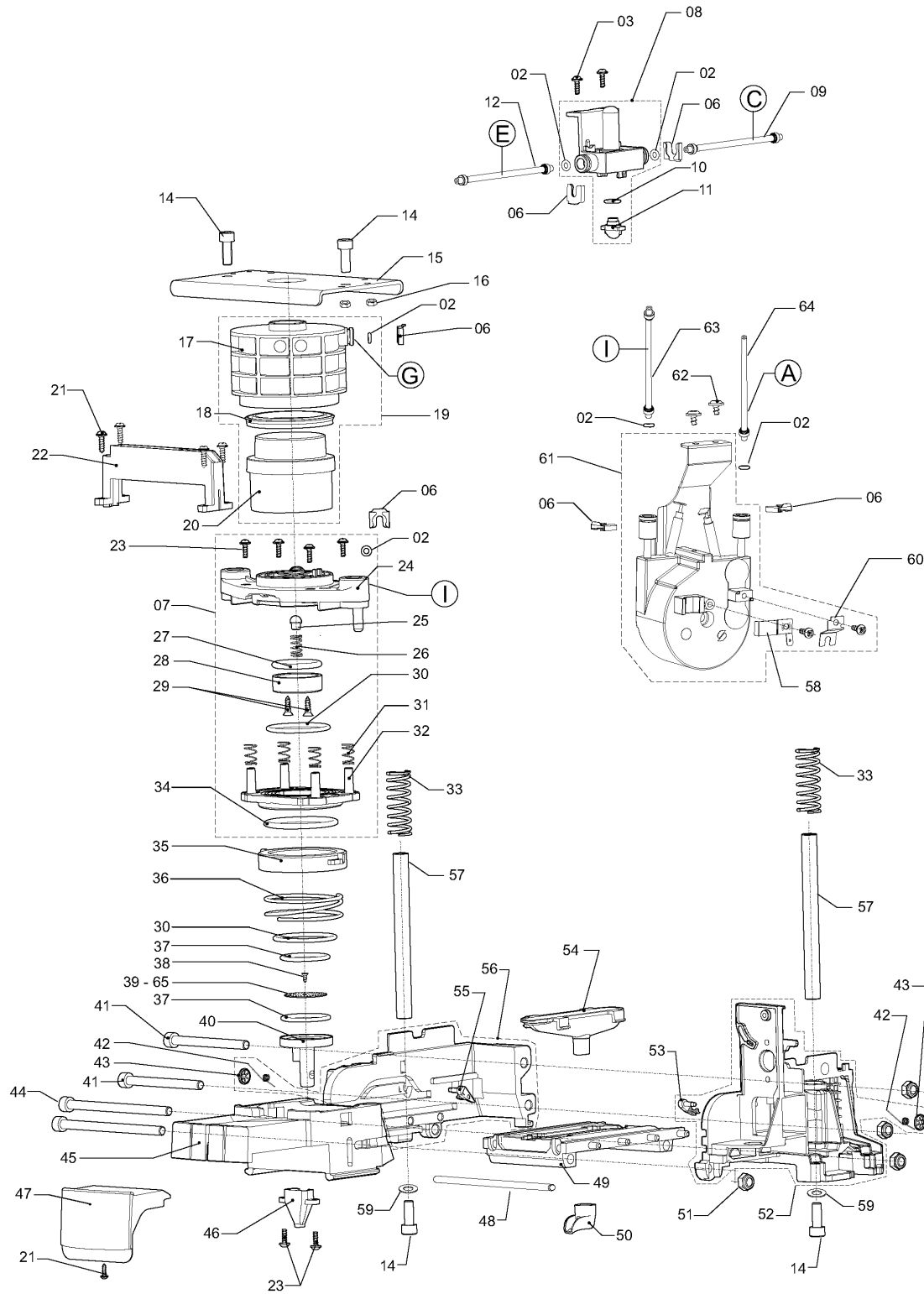


PODSY - 230V 50Hz

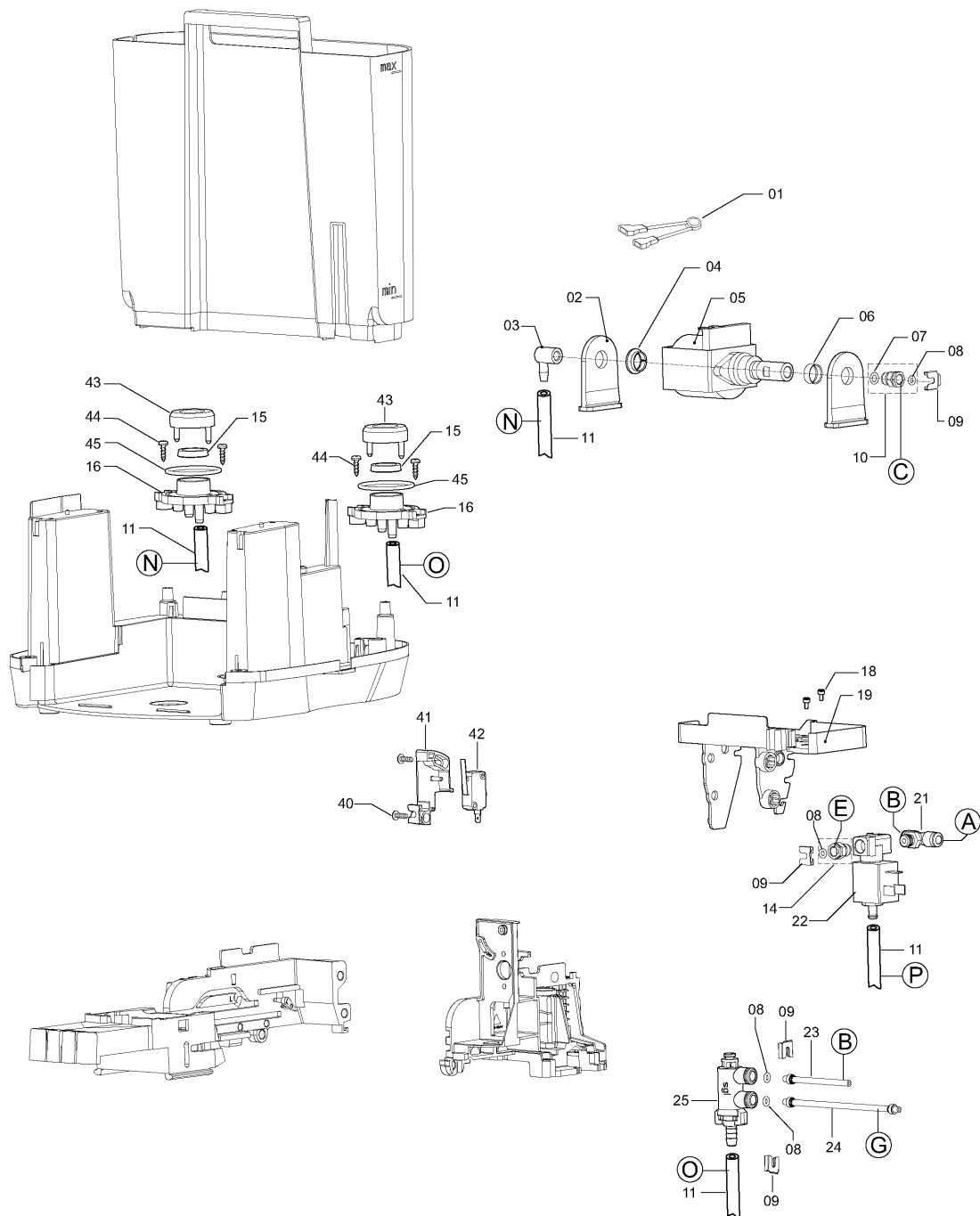


	Code	Description	Notes
1	502819	COVER FOR WATER TANK. BLACK	
10	502409	SELF-TAPPING SCREW 3.5X25 PH TYPE	
11	502827	BASE. BLACK	
12	502407	SELF-TAPPING SCREW 4X15	
13	500027	FOOT	
14	502828	UNION	
15	502829	POD DISCHARGE CHANNEL	
16	502830	DRAWER. PODS BLACK	
17	502831	DRAWER GRID	
18	502832	BLACK USED POD HOLDER	
19	502257	FILTER	
2	502820	WATER TANK ASSEMBLY	
20	502905	COVER FOR WATER TANK. WHITE	
21	502906	BODYWORK. WHITE	
22	502909	FRONT PLATE. WHITE	
24	502872	COVER PANEL. WHITE	
25	502873	BASE. WHITE	
26	502874	DRAWER. PODS WHITE	
3	502821	BODYWORK. BLACK	
4	502822	FRAME	
5	502823	COVER PANEL. BLACK	
7	502908	FRONT PLATE. BLACK	
8	502826	SELF-TAPPING SCREW 2.9X9.5	
9	500096	SCREW M3X20	

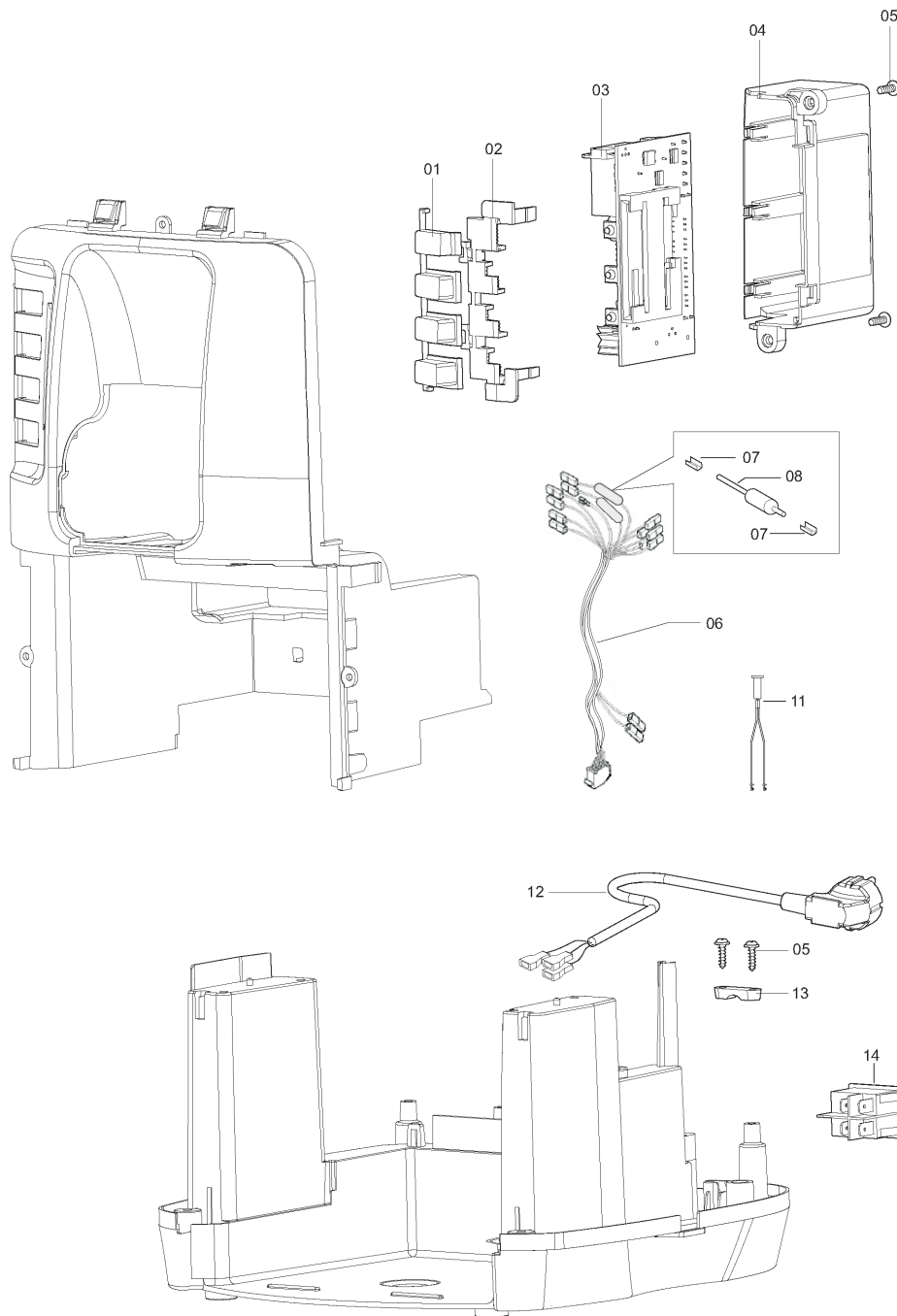


	Code	Description	Notes
10	500085	OR 2031 VITON	
11	502839	CAP	
12	502840	TEFLON HOSE L=160 MM 4X2 H.R.	
14	500789	SCREW M6X16	
15	501959	BOTTOM BRACKET	
16	500143	NUT M4	
17	501961	TOP HYDRAULIC CYLINDER	
18	501034	LIP SEAL EPDM70	
19	502026	CYLINDER+ASSEMBLED PISTON	
2	500073	OR 2015 VITON	
20	501962	PISTON	
21	502363	SCREW 3.5X12	
22	502842	POD STOP BAR	
23	502826	SELF-TAPPING SCREW 2.9X9.5	
24	502843	UPPER POD PRESS	
25	500041	VALVELET. ASSEMBLED	
26	501970	SPRING H=14 MM	
27	500461	OR 4106 SILICONE	
28	502844	UPPER POD HOLDER	
29	501968	SELF-TAPPING SCREW 3.5X13 INOX	
3	500105	SCREW M4X12	
30	502845	OR 3150 SILICONE	
31	502846	SPRING	
32	502847	POD PRESS PLATE	
33	501966	SPRING H=55 MM	
34	502054	OR 147 (42.86 X 3.53) SILICONE	
35	502848	BOTTOM POD PRESS	
36	502849	SPRING	
37	502850	OR 3112 SILICONE	
38	501133	SELF-TAPPING SCREW 3.5X9.5	
39	500291	SHOWER	
40	502851	REGULATOR	
41	502852	SCREW M6X65 TC EI	
42	502853	SPRING	
43	502430	PLATE	
44	502321	SCREW M6X95	
45	502854	POD DRAWER	
46	502855	FUNNEL	
47	502856	HANDLE DRAWER	
48	502900	PIN L=81 MM	
49	502858	PLATE	
50	502859	DISPENSING SPOUT	
51	502860	SELF-LOCKING NUT M6	
52	502861	RH FRAME SIDE	
53	502862	RH LEVER	
54	502863	CONVEYOR	

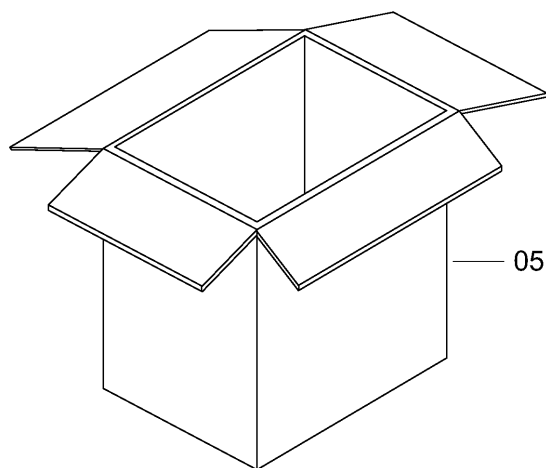
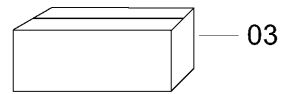
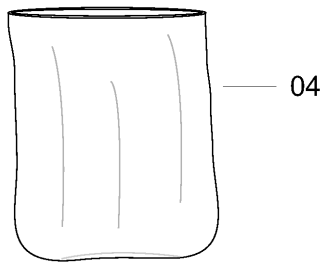
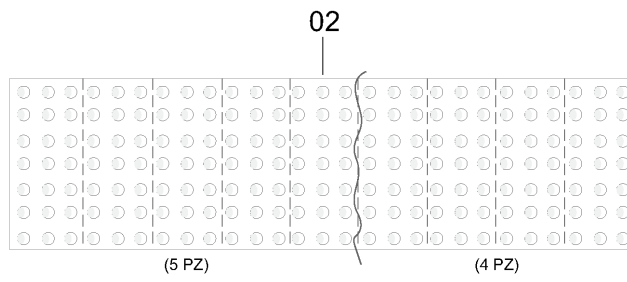
	Code	Description	Notes
55	502864	LH LEVER	
56	502865	LH FRAME SIDE	
57	502866	COLUMN L=109 MM	
58	502867	THERMAL FUSE FASTENING BRACKET	
59	502453	WASHER 6.4*12*1	
6	500064	SPRING FOR FAST COUPLING	
60	502868	PROBE FASTENING BRACKET	
61	502869	BOILER COMPLETE 230V	
62	502870	SELF-TAPPING SCREW 3.9X6.5	
63	502880	TEFLON HOSE L=130 MM 4X2 H.R.	
64	502915	TEFLON HOSE L=340 MM 4X2 1 H.R.	
65	502941	FILTRO DOCCETTA (IMS-N°60 FORI)	
7	502836	UPPER POD PRESS. ASSEMBLED	
8	502837	VIBRATION DAMPER	
9	502838	TEFLON HOSE L=95 MM 4X2 H.R.	



	Code	Description	Notes
1	500328	THERMAL PROTECTOR T-120	
10	501099	UNION 1/8 GAS ATT. RAP BRASS	
11	500010	SILICONE HOSE 4X8 (1 MT)	
14	500077	STRAIGHT UNION +OR	
15	500808	TANK GASKET DI-062	
16	502877	VALVE BASE	
18	500766	SCREW M3X6	
19	502879	FRAME	
2	501998	PUMP SUPPORT BEND	
21	502003	RAPID WASTE OUTLET UNION TEE	
22	500376	SOLENOID VALVE. 3-WAY 230V 50HZ	
23	502910	TEFLON HOSE L=70 MM 4X2 1 H.R.	
24	502881	TEFLON HOSE L=200 MM 4X2 H.R.	
25	502882	DUMP VALVE	
3	500371	BEND	
4	500083	RING	
40	502363	SCREW 3.5X12	
41	502889	COVER FOR MICRO	
42	502214	MICROSWITCH	
43	500807	COVER * TANK VALVE	
44	500217	SELF-TAPPING SCREW 3.5X13	
45	502845	OR 3150 SILICONE	
5	502875	PUMP 230V-50HZ EP45GW	
6	500080	BUSHING	
7	500157	OR 2025 VITON	
8	500073	OR 2015 VITON	
9	500064	SPRING FOR FAST COUPLING	



	Code	Description	Notes
1	502911	KEYS STD	
11	502897	PROBE	
12	502898	POWER SUPPLY CABLE 230V L=1500 - 3X0.75 SCHUKO	
13	502899	CABLE FASTENER	
14	500593	MAIN SWITCH	
2	502891	REFLECTIVE SIDE	
3	502912	ELECTRONIC BOARD 230V STD	
4	502893	BUTTON PAD HOLDER	
5	502363	SCREW 3.5X12	
6	502913	ELECTRIC SYSTEM 230V STD	
7	500076	INARSPLICE	
8	500075	THERMAL FUSE 167°C	



	Code	Description	Notes
1	502914	INSTRUCTION BOOKLET PODSY STD	
2	502902	INTERIOR FOR BOX	
3	502903	PACKAGING BOX INSIDE GUARD	
4	501049	POLYETHYLENE BAG 40X45X70	
5	502904	PACKAGING BOX	